



ADX-2400N-DANTE
DANTE NETWORK INTERFACE
(Analog I/O)

Installation and Operation Manual

Software Version 1.0

May 2017

Lance Design / 27 Fairview Avenue / Ridgefield, Connecticut 06877
Tel: 203-894-8206 / Fax: 203-894-8207

www.lancedesign.com

WARRANTY STATEMENT

This equipment is warranted to be free of defects in materials and workmanship for a period of two years from date of delivery. Any necessary repairs resulting from defects in materials or in manufacture will be made free of charge provided that the equipment has not been subjected to mechanical or electrical abuse, or modification, as determined by Lance Design, and also that the equipment is returned to Lance Design with prior authorization.

No liability whatsoever is assumed for consequential damages resulting from the use or failure of this equipment. This warranty is in lieu of all other warranties, expressed or implied, including any implied warranty of fitness for purpose.

COPYRIGHT

All software and hardware designs are copyrighted to Lance Design, 2006-17.

CAUTION! HAZARDOUS VOLTAGES ARE EXPOSED WHEN THE TOP COVER OF THE UNIT IS REMOVED. DO NOT APPLY POWER WITH THE UNIT DISASSEMBLED.

Table of Contents

General Description	Page 4
Operating Modes	Page 4
Quick Operating Guide	Page 5
Accessing Remote Device Menus	Page 6
Menu Items	Page 7
Routing the Dante Network	Page 9
Saving / Recalling Configurations	Page 10
Installation	Page 11
Specifications	Page 14



ADX-2400N Front Panel View



ADX-2400N Rear Panel View

GENERAL DESCRIPTION

The Lance Design ADX-2400N Dante Network Interface provides the interface between standard balanced analog audio inputs and outputs and a Dante-based Ethernet network.

In addition it contains flexible DSP functionality to provide routing, signal generation, level control, delay and mixing capabilities.

The local inputs and outputs are standard balanced line-level analog signals. The terminations are DB-25 connectors wired to the industry-standard 'Tascam / Protools' standard. All connections are dry audio. *In no circumstances should wet PL or other DC voltage be applied to the inputs or outputs.*

The ADX-2400N provides a Dante interface for 24 channels in each direction, to and from the network. This network interface is compatible with any Dante-enabled devices, and is ideal for providing the head end for ADX-120 Announce Units and ADX-140 XLR Interface Panels.

The ADX-2400N also provides convenient remote control of ADX-120 and ADX-140 units, allowing adjustment of remote device parameters such as preamp gain, IFB configuration, etc.

There is also a headphone jack and a front panel VU meter, which follow the selected output channel. These, along with the built-in tone generators allow fast and convenient testing and confirmation of circuit continuity and routing.

OPERATING MODES

The ADX-2400N may be operated in two different modes, which share many features but have a few differences as outlined below.

	DELAY	MIXERS	PL MATRIX
NORMAL MODE	48 CHANNELS	NONE	NONE
ANNOUNCE BOOTH MODE	NONE	NET RX 9-16	NET RX/TX 17-24

Selection of the operating mode is determined by Options Dipswitch (behind front panel) section 3. Set this switch off for Normal Mode, and on for Announce Booth Mode.

Note that the 'Normal' mode is somewhat of a legacy mode, and unless you require the delay functions we suggest that you use the 'Announce Booth Mode'. This mode is enabled when the ADX-2400N is shipped.

QUICK OPERATION GUIDE - ANNOUNCE BOOTH MODE

• Selecting Output Channels

Press 'OUTPUT SELECT' button, and turn knob until desired channel is selected. Repeated presses of the 'OUTPUT SELECT' button will advance the selection to the first channel of the next group of eight individual channels.

There are 48 outputs: the 24 local analog outputs ("Local" outputs), and the 24 network transmitter channels that place audio on the Dante Network ("Net" outputs).

The VU Meter and Headphone Jack, and the rear panel 'Monitor Output' XLR will follow the output selection.

• Selecting the Source (for the current output)

The selected output may be fed from a variety of sources. The choices for most outputs are:

- Silence
- Local Input (the corresponding analog input channel)
- Net RX (the network receiver for this channel)
- 888 Hz Tone
- 560 Hz Tone

In addition, local outputs 9-16 can chose mixes of Net receivers 9-16. The purpose of these mixers is to allow internal mixing of talkback or other signals without relying on an external mixer. Their use is completely optional. These mixer selections follow the tones in the source selection list.

The source selections for Net Outputs 17-24 are special in that they control the PL matrix. These source selections roughly equate to the familiar two-wire 'thumbwheel' selectors used to assign beltpacks to PL channels. The local analog inputs and outputs 17-24 are four-wire PL channels, and the source selections on Net Outputs 17-24 assign network PL devices to these four-wire ports.

A standard straight-diagonal configuration may be established by recalling the "Standard Config" from the menu. This routes all net receivers to their corresponding local analog outputs, and all local analog inputs to their corresponding net transmitters.

• To Adjust Level (for current output)

The output level can be adjusted in 0.25 dB increments. Maximum gain is +12 dB. To adjust, press the 'LEVEL' button, and turn the knob.

We suggest that output levels only be adjusted in special circumstances. In most cases the levels should all be left in the Unity (0.00dB) settings.

• To Adjust Headphone Volume

Press the 'HP VOLUME' button, and turn the knob. The bar graph display will show the knob 'position'.

- **To Configure Menu Items**

The system has a few configuration items which may be set by using the menu function. Press the 'MENU' button to enable the menu function. Turn the knob to select the desired menu item, then press the 'MENU SET' button. Turning the knob will now change the parameter for this item. When the desired selection is made, you can exit the MENU SET mode by pressing any other button. (See following section on menu items).

In addition, the MENU and MENU SET buttons are used to control the remote device (ADX-120 and ADX-140) menus for such things as preamp gain, IFB config, etc.

- **Accessing Remote Menus from the ADX-2400**

To access these remote device menus, double-click the **MENU** button on the ADX2400. The display will say: SELECT REMOTE DEVICE. The **MENU** button will be flashing to indicate that a remote device is being accessed.

The menu display will look similar to this:

```
Select Remote Device
ID=01  ADX120-PBP
```

Use the knob to select the desired remote device. If there is no device name displayed to the right of the ID number, then there is no active device at this ID.

When the desired device is selected, press **MENU** again. This will access the menu of the remote device, and the menu might look like this (depending on the type of device and the selected item):

```
ADX120-PBP      Item C01
Mic 1 Gain=45dB
```

The configuration and status items may be selected using the knob. Once the desired item is selected, press the **MENU SET** button to allow changing that item's setting. Settings are saved automatically after about 10 seconds of inactivity.

Press either **MENU SET** or **MENU** to go back to the item select mode.

When you're done, the easiest way out of any of the menu modes is to just press the **OUTPUT SELECT** button. This will cancel all menu modes, and you won't have to step backwards out of them.

MENU ITEMS - ANNOUNCE BOOTH MODE

- **Item 01 - GPI Mode = (Off, Master)**

For future or special application use. Should be set to 'Off' normally.

- **Item 02 - GPI 1/3 Device ID = (00-99)**

For future or special application use. Should be set to '00' normally.

- **Item 03 - GPI 2/4 Device ID = (00-99)**

For future or special application use. Should be set to '00' normally.

- **Item 04 - Save To User Config 1**

- **Item 05 - Save To User Config 2**

- **Item 06 - Save To User Config 3**

There are three user setup files, and these three menu items allow the current configuration to be saved to these user config files. To save configuration settings, select the appropriate item number and press 'MENU SET'. The configuration will be saved to the selected file. Menu settings and Source assignments are saved.

Note that 20 seconds after any configuration change, the current settings are automatically saved to a default configuration, which will be automatically loaded at power-up. This is separate from the User Configuration files above.

- **Item 07 - Recall User Config 1**

- **Item 08 - Recall User Config 2**

- **Item 09 - Recall User Config 3**

Selecting one of these three items and pressing 'MENU SET' will cause the settings previously saved in the selected User Config file to be recalled.

- **Item 10 - Recall Standard Config**

Pressing the 'MENU SET' button will recall a 'standard configuration'. This configuration is as follows:

GPI Mode = Off

All local outputs set to corresponding Net receive channels (diagonal)

All Net Transmitters set to corresponding local input channels

All Levels set to Unity [0.00 dB], and Delays set to 0.

This 'standard config' results in a straight-through 24-in/24-out configuration.

The following items are status only and may not be changed by the user

- **Status Item 01 – PCB Temperature (degrees Celsius)**

Indicates temperature of sensors on main PCB. Normal temperature is in the 40-46 degree range. A high temperature indication might indicate fan failure, blocked vents or a high ambient temperature, and will cause a fault message to be displayed if the temperature exceeds 55 degrees C.

- **Status Item 02 – System ID (00-99)**

Displays two-digit system ID for this ADX-2400, as set by rotary switches on the sub-panel.

This system ID should be unique on the network. The ADX system components use this as a unique identifier in the ADX remote control protocol. Any number may be chosen, but it should not be duplicated by any other ADX device on the network.

- **Status Item 03 – Firmware Version**

Displays the version of the installed firmware.

ROUTING THE DANTE NETWORK

The Dante network protocol is very flexible in that channel-by-channel routing between devices may be done on the network. Each Dante-enabled device will have a number of inputs from and outputs to the network which may be routed to/from other devices.

This routing is accomplished by using a Windows or Mac based application provided by Audinate/Dante called 'Dante Controller'.

It is available here for various operating systems:

<https://www.audinate.com/products/software/dante-controller>

Dante Controller allows extensive routing and monitoring of Dante devices, and is quite easy to use and self-explanatory. There are also some tutorials on this website.

The ADX-2400N has 24 network inputs (receivers) and 24 network outputs (transmitters).

The last eight (17-24) transmitters and receivers are routed through the PL matrix in the ADX-2400N, and can combine networked PL devices into up to eight PL 'channels' that appear on the local inputs and outputs. You could, for example, assign eight networked PL channels to a single local channel (in and out). The appropriate mix-minus feeds are generated automatically in the ADX-2400N.

This essentially replicates the familiar 'thumbwheel' functionality of two-wire systems.

Local output channels 9-16 can be fed by mixes of network receivers 9-16. These mixers can be used to mix down multiple talkback feeds without using a separate mixer, for example, or for other purposes. These mixers are available as sources for local outputs 9-16, and appear after the two tone generators in the source selection list.

Both the PL matrix and the mixers may be ignored and the channels used simply as additional network ins and outs if desired. Recall the 'standard config' to disable all mixers, and set the PL matrix to the diagonal.

SAVING AND RECALLING ADX-2400 CONFIGURATIONS

The menu settings and the source, level, and delay settings are stored automatically after 20 seconds of panel inactivity in a 'default' flash memory. This is the memory which is restored automatically when the unit is first powered up.

You may also save configurations in three user memories. Select the desired memory by selecting Menu Item 06-08. When the 'MENU SET' button is pressed, the current configuration will be saved to the selected user memory.

To recall one of these user memories, select the desired memory by choosing menu item 09-11. When the 'MENU SET' button is pressed, all config data saved in that user memory will be recalled and immediately applied to the audio hardware.

Factory default or 'standard' configuration may be recalled by selecting menu item 10 and pressing 'MENU SET'. It may also be recalled on power up or reset by turning on options dipswitch section 1.

The factory default sets all levels to unity, all delays to zero, local output sources to net inputs, and net outputs to local inputs.

Note that these memories do not store remote device configurations. They are stored in the remote devices themselves. Dante routing as configured with Dante Controller may be saved in a master file using Dante Controller.

DIPSWITCH FUNCTIONS (Ver 1.0 firmware)

There is an Options Dipswitch located behind the front panel, accessible by removing the thumbscrews on either side of the front panel.

Section 1 - Causes factory defaults to be loaded at power-up. Normally OFF.

Section 2 - Unused

Section 3 - Puts ADX2400N into 'Announce Booth Mode' when ON.

Section 4 - Unused

Section 5 - Unused

Section 6 - Locks USER CONFIG 3 (inhibits saves to this config memory)

Section 7 - Locks Channel Setups (level, source, delay) when ON.

Section 8 - Locks Menu Selections when ON.



Options Dipsw ^

^ System ID Switch

^ Reset

Installation

The ADX-2400N is designed to be installed in a standard 19" equipment rack. Rear support is suggested. If there is no equipment under the 2400, an inexpensive 1RU rack shelf on the rear rails works nicely.

The unit is designed to operate on 100-240 volts AC, 50 or 60 Hz. The power supplies are wide-range switching supplies, so no voltage selection needs to be made. Power consumption is approximately 20 watts.

• System Connections

ANALOG INPUTS are balanced high-impedance line level inputs. Nominal level is +4 dBv. These signals should be dry, balanced audio.

ANALOG OUTPUTS are low-impedance balanced line-level outputs. Nominal level is +4dBv. They are designed to drive bridging loads. They may be terminated in 600 ohms if desired, although this is not recommended. The level will be reduced by about 0.75 dB if terminated in 600 ohms.

Under no circumstances should DC voltage be applied to the outputs, or damage to the output amplifiers may result.

Numerous vendors such as Switchcraft, Audio Accessories, Proco, and others can supply prewired breakout cables, patch panels, etc. wired to the 'Tascam / Protools' standard utilized in the ADX-2400N.

The 'Audio Network' ports (Dante ports) are 1000/100baseT copper Ethernet ports. One of these ports should be connected to the Dante network, typically a gigabit switch or media converter to provide a gigabit fiber link to the announce booth or other locations. All other Dante devices to which audio transmission is required should be on this same network.

The Remote Control connector contains the GPI inputs and outputs, and an RS-232 serial port. The GPIs are currently used only for special applications. Contact Lance Design for more information.

• Setting the System ID Switch

The two-digit System ID switch located behind the front panel should be set to a unique number between 01 and 99. The System ID number is used by the ADX remote control system to identify ADX devices. Each ADX device should have its ID set to a unique number.

This number may be displayed by pressing the 'Menu' button and scrolling to the next-to-last Status item.

Reliability Considerations

Since on-air audio is often handled by the ADX systems, reliability is of primary concern. The ADX-series products are designed with highest-quality components and conservative ratings so as to be as reliable as possible.

In addition, after manufacture, the ADX products undergo an extensive burn-in process which includes power and thermal cycling to attempt to precipitate out any early-life failures.

Even with these precautions failures are not impossible, and in addition there are other components to the system such as Ethernet switches which must also be considered in evaluating overall reliability.

Here are some thoughts on insuring a reliable on-air system:

- Provide a spare announce box and headset. This practice has been going on for decades with analog systems, and it's still a good idea. It protects against failure of the ADX-120 and the headset.
- Use the ADX-8000 Switch with redundant power supplies for both the switch and the ADX-120s and ADX-140s. The ADX-8000 also supports fiber trunking for redundant fiber links.
- Insure a reliable AC power source in the remote location for the ADX units and for the Ethernet switch. If there is any question about the reliability of the AC supply you might consider using a small UPS power supply to provide battery backup. A small 500 watt unit intended for personal computer use will provide a half-hour of typical operation in the event of power failure.
- Use reliable Ethernet hardware such as switches, fiber SFPs, etc. Burn in new switches for a few days before putting them on the air. Keep all Ethernet cables and fiber in good condition.
- Many switches have two or more fiber ports available. Redundant fiber runs may be used by employing trunking (link aggregation) or the ADX-8000 A/B mode. See the ADX-8000 manual for more information.

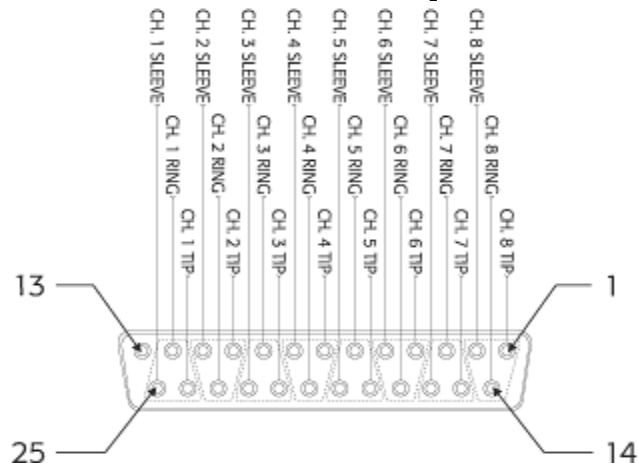
Lance Design ADX-2400N Analog Pinout (Inputs and Outputs)

Audio Channel	D-25 Pin
CH 1 +	24
CH 1 -	12
CH 1 SHLD	25
CH 2 +	10
CH 2 -	23
CH 2 SHLD	11
CH 3 +	21
CH 3 -	9
CH 3 SHLD	22
CH 4 +	7
CH 4 -	20
CH 4 SHLD	8
CH 5 +	18
CH 5 -	6
CH 5 SHLD	19
CH 6 +	4
CH 6 -	17
CH 6 SHLD	5
CH 7 +	15
CH 7 -	3
CH 7 SHLD	16
CH 8 +	1
CH 8 -	14
CH 8 SHLD	2

Audio Channel	D-25 Pin
CH 9 +	24
CH 9 -	12
CH 9 SHLD	25
CH 10 +	10
CH 10 -	23
CH 10 SHLD	11
CH 11 +	21
CH 11 -	9
CH 11 SHLD	22
CH 12 +	7
CH 12 -	20
CH 12 SHLD	8
CH 13 +	18
CH 13 -	6
CH 13 SHLD	19
CH 14 +	4
CH 14 -	17
CH 14 SHLD	5
CH 15 +	15
CH 15 -	3
CH 15 SHLD	16
CH 16 +	1
CH 16 -	14
CH 16 SHLD	2

Audio Channel	D-25 Pin
CH 17 +	24
CH 17 -	12
CH 17 SHLD	25
CH 18 +	10
CH 18 -	23
CH 18 SHLD	11
CH 19 +	21
CH 19 -	9
CH 19 SHLD	22
CH 20 +	7
CH 20 -	20
CH 20 SHLD	8
CH 21 +	18
CH 21 -	6
CH 21 SHLD	19
CH 22 +	4
CH 22 -	17
CH 22 SHLD	5
CH 23 +	15
CH 23 -	3
CH 23 SHLD	16
CH 24 +	1
CH 24 -	14
CH 24 SHLD	2

6 FEMALE CONNECTORS ON CHASSIS [INPUT AND OUTPUTS]



ADX-2400N Specifications

Local Inputs	24 Balanced Analog. +4 dB nominal, +24 dBv max. D-25F connectors wired to Tascam DA-88 / Protocols standard
Local Outputs	24 Active Balanced Analog. +4 dB nominal, +24 dBv max. D-25F connectors wired to Tascam DA-88 / Protocols standard
Freq Response	20-20KHz +/- .25dB
THD+Noise	<0.005% bandwidth-limited to 25KHz
Signal/Noise	>100 dB below peak level, bandwidth-limited to 25KHz
A-D and D-A Conversion	24-bit
Output Impedance	Approx. 50 Ohms
Input Impedance	Approx. 25K Ohms
Digital Processing and Delay	24-bit uncompressed
Dante Transmission	24-bit uncompressed
Sample Frequency	48 kHz
Adjustable Delay Range	0 milliseconds to 680 milliseconds (>20 frames at 30 fps)
Minimum Delay (analog in to analog out)	0.55 milliseconds
Minimum Delay (through Ethernet)	Approx. 1.0 ms analog-to-analog for all paths
Headphone Jack	1/4" TRS (Stereo) follows Output selection, Low impedance
VU Meter	Conventional VU ballistics (300ms), -20 to +3.5 dB scale, follows Output selection. Scale mark at 0 VU.
Remote Control	Serial Port and GPI In/Out. Contact Lance Design for Information
Display	2x24 VFD
Dimensions / Weight	19"w X 15"d X 1.75"h (1RU). Weight approx. 10 lbs.
Power Requirements	95 to 250 Volts AC, 50-60 Hz, <20 Watts

Remote Control Connector Pinout

Connector is RJ-45 Female

Pin #	Function
1	GPI 1
2	GPI 2
3	+5 Volts
4	Ground
5	RS232 Data In (RX)
6	RS232 Data Out (TX)
7	GPI 3
8	GPI 4

GPIs used as inputs are TTL-compatible, pulled up to +5 volts with a 5K resistor. They should be pulled to ground with a dry switch closure or O.C. transistor to activate

GPIs used as outputs are open-collector transistors with a 5K pull-up resistor to +5 volts. These transistors pull to ground when the GPI is active. Current should not exceed 200 Ma.

When ADX-2400 is in Master GPI mode, GPIs 1 and 2 are outputs, and GPIs 3 and 4 are inputs.